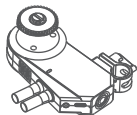


MOZA iFocus

User Manual
用户手册

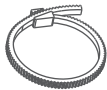
In the Box

装箱清单



x1

Motor
跟焦器



x1

Lens Gear Ring
跟焦环



x1

Multi-CAN Cable
Mutli-CAN连接线



x1

User Manual
用户手册

Note:

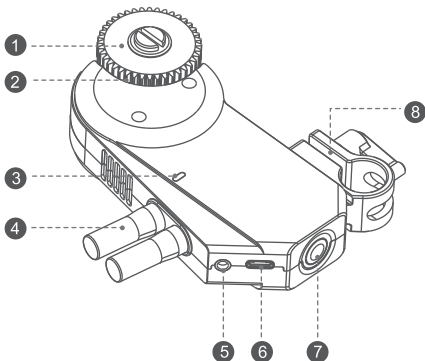
This manual only guides the connecting and using methods and precautions used by the follow focus motor part in conjunction with Moza Air 2, and does not fully describe all the functions of the follow focus.

For more functions, please use it with the remote control.

注意事项：

本说明书仅指导跟焦器电机部分与MOZA Air 2搭配使用的连接使用方法及注意事项，并未完整说明跟焦器的所有功能。

如需实现更多功能，请搭配遥控器使用。



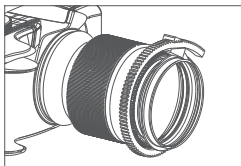
- 1 Gear:** Turns the gear ring on the camera lens.
- 2 Gear Knob:** Secures the gear to the motor.
- 3 Status Indicator:** Displays the system status and battery level.
- 4 Antenna**
- 5 Multi-CAN Port:** Allows the gimbal to communicate with the motor.
- 6 USB-C:** Used to charge the motor.
- 7 Power Button:**
Press and hold for 1 second until the green indicator lights up to power on the motor.
Press and hold for 3 seconds until the white indicator lights up to enter firmware grade.
Press and hold for 1 second until the red indicator flashes to power off the motor.
- 8 Quick Release Mount:** Mount the iFocus to a 15mm rod.

Getting Started

1. Mount the Lens Gear Ring

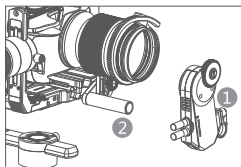
- Fits the lens gear ring with your camera lens.
- Tighten the clip.

⚠ Note: Ensure the clip is tight and that the lens gear ring makes good contact with the lens. You may also use a standard 0.8 Mod lens gear ring of your own.

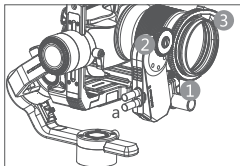


2. Mount the Motor

- Loosen the knob(1) on the quick-release mount and slide the motor onto the support rod(2). Tighten the knob to secure the motor's position on the support rod.

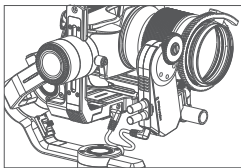


- Tighten the knob(1) to secure its position. Ensure the motor gear(2) and lens gear ring(3) make good contact.



3. Connect to MOZA Air 2

Connect iFocus to MOZA Air 2 with Multi CAN cable.



Functions of MOZA iFocus

1. System Status Indicator

The description of LED:

State	LED	Description
Upgrading Mode	White light	Firmware Upgrade Mode
On	Green blinks	Remaining capacity over 70%
	Bluetooth blinks	Remaining capacity: 30%~70%
	Red blinks	Battery low
Off	Blue solid light	Charging

2.Charging

Charge the iFocus with USB-C. Then LED light turns blue. When fully charging, the light goes off automatically.

When connecting iFocus to MOZA Air2 with Multi-CAN cable, Air 2 can charge iFocus.

3.Turn on and turn off

Long press the power button for 1 second, and the light turns green. The motor turns on.

Long press the power button for 1 second and red light blinks twice. The motor turns off.

4.Route Calibration

Mark the total distance of the lens focus ring by route calibration before using the iFocus to avoid rotating the motor over the route of lens focus ring.

The motor remembers your last calibration and does not need to be re-calibrated every time it is turned on unless you change the motor position or remount it after the motor has been shut off.

The operations of route calibration are as follows:

- Enter the Air 2 menu, and select Advanced>iFocus>Turn off to turn off the iFocus motor.
- Manually rotate the lens to the start point, then select Advanced>iFocus>Start point to confirm the start point.

- c. Manually rotate the lens to the end point, then select Advanced>iFocus>End point to confirm the end point. The iFocus motor will start automatically.

⚠ Note: The iFocus motor can be turned on by selecting Advanced > iFocus> turn on during calibration. Note that if the start and end points are not calibrated, the calibration is invalid.

5.Control iFocus movement by Air 2

- a. Enter the Air 2 menu, Gimbal Set>Operations>Wheel>Function>Focus-1 or Focus-2 to select the wheel to control the follow focus. You could also press the Mode button on the Air 2 until the wheel mode on the screen turns to Focus-1 or Focus-2 mode.
- b. Rotate the wheel to control the motion of iFocus

6.iFocus Control Sensibility Settings

Enter the Air 2 menu, and select Gimbal Set>Operations>Wheel>Sensi to adjust the control sensibility.

⚠ Note: Turn down the sensibility level if the iFocus rotates too fast, and turn the level up if the iFocus rotates too slowly.

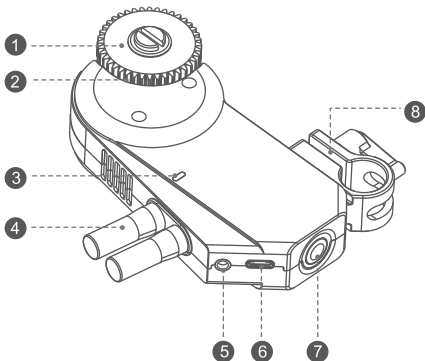
Firmware Upgrade

iFocus needs to be connected to MOZA Air 2 for firmware upgrade.

- a. Connect the iFocus to MOZA Air 2 via Multi-CAN cable.
- b. Long press the power button for 3 seconds in power off status until the white indicator lights up.
- c. Follow MOZA Air 2 firmware instruction to upgrade the firmware.
- d. Restart the iFocus and MOZA Air 2 after the upgrade is complete.

Specifications

Weight(battery excluded)	198g
Dimensions	115*65*30mm
Operating Voltage	7.2V
Battery Capacity	600mAh
Bluetooth	Support
Charging Port	USB-C



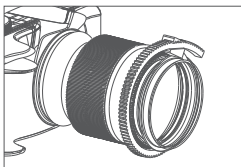
- 1 齿轮：**通过与跟焦环啮合，调节镜头对焦、光圈或变焦
- 2 齿轮固定螺丝：**用于固定齿轮
- 3 状态指示灯：**指示跟焦器电量、工作状态等信息
- 4 天线**
- 5 Multi CAN接口：**供电与通信接口，可连接MOZA Air2
- 6 USB-C：**给跟焦器充电
- 7 电源键：**
关机状态下长按1s，状态指示灯绿灯亮起，跟焦器开机
关机状态下长按3s，状态指示灯白灯亮起，进入升级模式
正常工作或升级模式下长按1s，状态指示灯红灯闪烁后关机
- 8 跟焦器管夹：**将跟焦器固定到15mm的跟焦管上

安装

1. 安装跟焦环

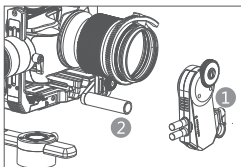
- 用跟焦环围住镜头对焦环，拉紧跟焦环
- 将跟焦环两端的固定结构锁紧

⚠ 注意：务必使跟焦环与镜头对焦环卡紧，且转动跟焦环的时候镜头对焦环能同步转动
跟焦环也可安装至光圈环与变焦环，请根据需要选择安装的位置

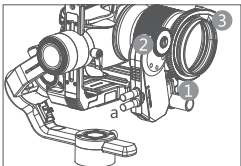


2. 安装跟焦器

- 将跟焦器管夹1套入跟焦安装管2，上下调节跟焦器到合适的位置

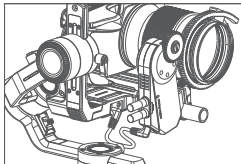


- 拧紧跟焦器管夹上的旋钮1，使跟焦器齿轮2与跟焦环3咬合



3.连接MOZA Air2

使用Multi CAN线连接MOZA Air2和跟焦器。



跟焦器功能

1. LED灯状态

LED灯定义如下：

状态	灯光	含义
升级模式	白灯亮	固件升级模式
开机	绿色闪烁	剩余电量高于70%
	蓝牙闪烁	剩余电量30%~70%
	红色闪烁	电量不足
关机	蓝色灯常亮	正在充电

2.充电

使用USB-C给跟焦器充电，跟焦器LED灯显示为蓝色，充满后自动熄灭。

当iFocus和MOZA Air2使用时，插上Multi-CAN连接线，跟焦器可以从MOZA Air2取电

3.开机、关机

长按电源键1秒，直到跟焦器亮绿灯，松开按键即可。开机状态下，长按电源键1秒，红色指示灯闪烁两次，跟焦器关机。

4.行程校准

使用跟焦器前请通过行程校准来标记镜头对焦环的总行程，以避免跟焦器转动超过镜头对焦环的行程。

跟焦器将记录上一次的校准数据，关机后如果没有使齿轮与对焦环的相对位置发生变化（手动转动对焦环或者重新安装跟焦器），就不需要再次进行校准。

行程校准的操作如下：

- 进入Air2菜单，选择Advanced>iFocus>Turn off 关闭跟焦器电机
- 手动转动镜头到起始位置，然后选择Advanced>iFocus>Start point确认行程起始位置
- 手动转动镜头到终点位置，然后选择Advanced>iFocus>End point确认行程终点位置，这时跟焦器电机会自动启动

⚠ 注意：校准过程中选择Advanced>iFocus>Turn on即可开启跟焦器电机。如果没有将起点与终点都校准好就启动，则本次校准无效

5. Air2控制跟焦器运动

- 进入Air2菜单， Gimbal Set>Operations>Wheel>Function>Focus-1或者Focus-2选择滚轮控制跟焦器。也可以按Air2的M键，直到Air 2屏幕上的手轮模式变为F1或者F2
- 转动滚轮即可控制跟焦器运动

6. 跟焦器控制灵敏度设置

进入Air2菜单， Gimbal Set>Operations>Wheel>Sensi调节控制的灵敏度。

⚠ 注意：您在使用时，如果觉得跟焦器转动太快，可以降低跟焦器控制灵敏度；如果觉得跟焦器转动太慢，可以升高跟焦器控制灵敏度

固件升级

iFocus跟焦器不能独自进行固件升级，需要连接到MOZA Air 2上，与MOZA Air 2一起升级固件。

- 将跟焦器与Air2通过Multi-CAN线连接
- 关机状态下长按跟焦器电源开关3s直到LED等显示为白色
- 按照MOZA Air 2的固件升级操作，进行升级
- 升级完成后，重启跟焦器和MOZA Air 2即可正常工作

规格参数

重量（不带电池）	198g
尺寸	115*65*30mm
工作电压	7.2V
电池容量	600mAh
蓝牙	支持
蓝牙充电接口	USB-C

产品保修卡

用户资料

产品型号	MOZA iFocus
购买日期	
姓名	
电话	
地址	

产品保修条例

保修期

自购机日起，跟焦器主体保修12个月；电机、电池保修3个月。设备外壳、说明书、线材、包装等不在“一年免费保修服务”范围内，您可以选择有偿服务。

七日内免费退货

自购机日起7日内，根据国家最新三包规定，您可以选择退货（按票面金额一次性退清货款）、换货（更换同型号同规格的产品）或修理。

八至十五日免费换货或修理

自购机日起第8日至第15日内，主机出现性能故障，并经特约维修中心检测，确认非人为损坏的本身质量问题，您可以选择换货(更换同型号、同规格产品)或修理；但是更换的范围，只限于产品主机，其他配件无质量问题，不能更换；购买者在以下条件下不享受免费保修服务，您可以选择有偿服务。

1. 超过三包有效期的
2. 无三包凭证及有效发货票的，但能够证明该产品在三包有效期内的除外
3. 包修凭证上的型号与修理产品型号不符或者涂改的
4. 非本公司特约维修人员拆动造成损坏的
5. 因不可抗拒力造成损坏的
6. 未按产品使用说明书要求使用、维护、保养而造成损坏的



Get more functions with
the iFocus Handunit.

搭配遥控器，玩出新花样

GUDSEN

INVENTED FOR VIDEO
Gudsen Technology Co., Ltd
Web: www.gudsen.com